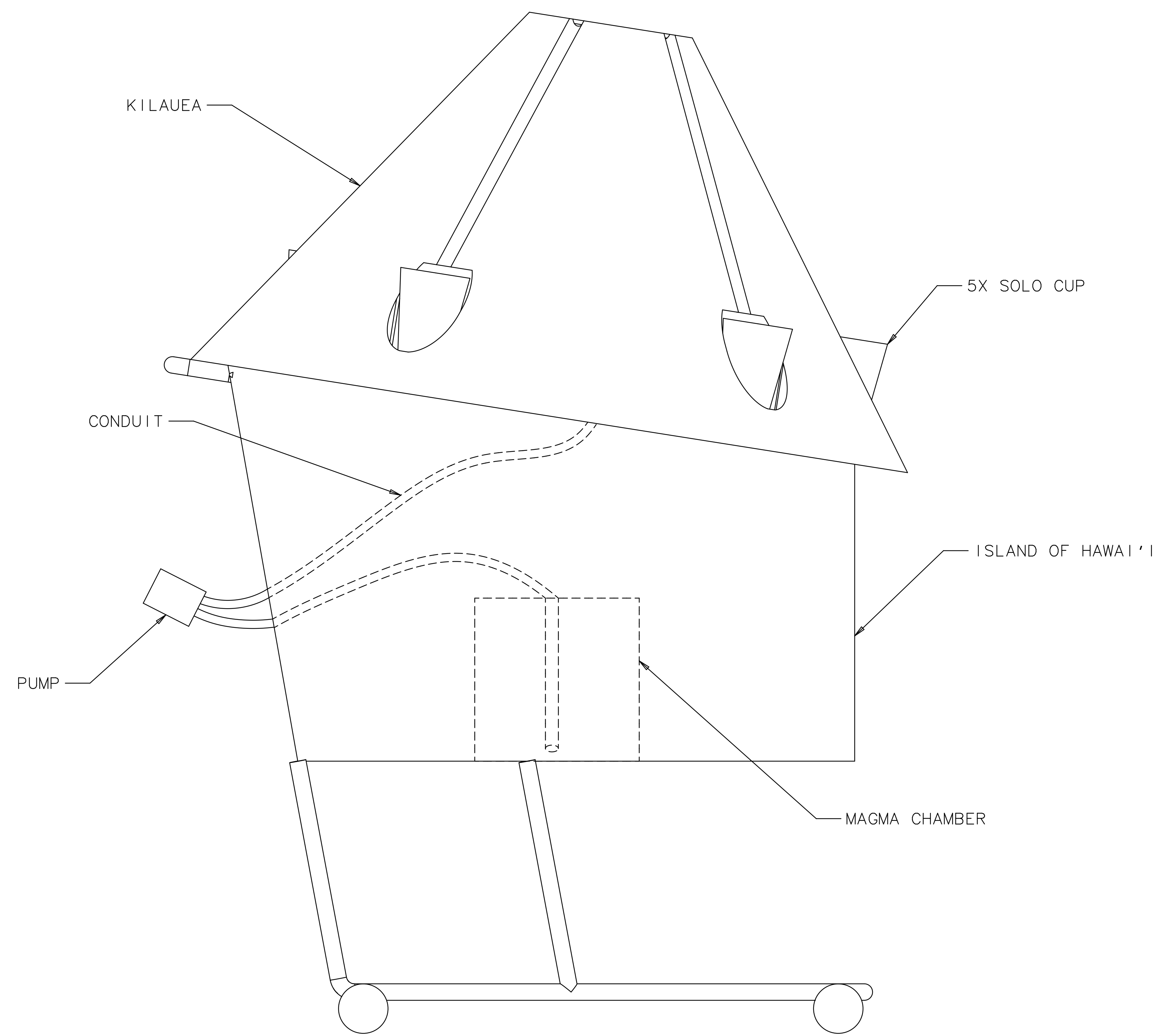
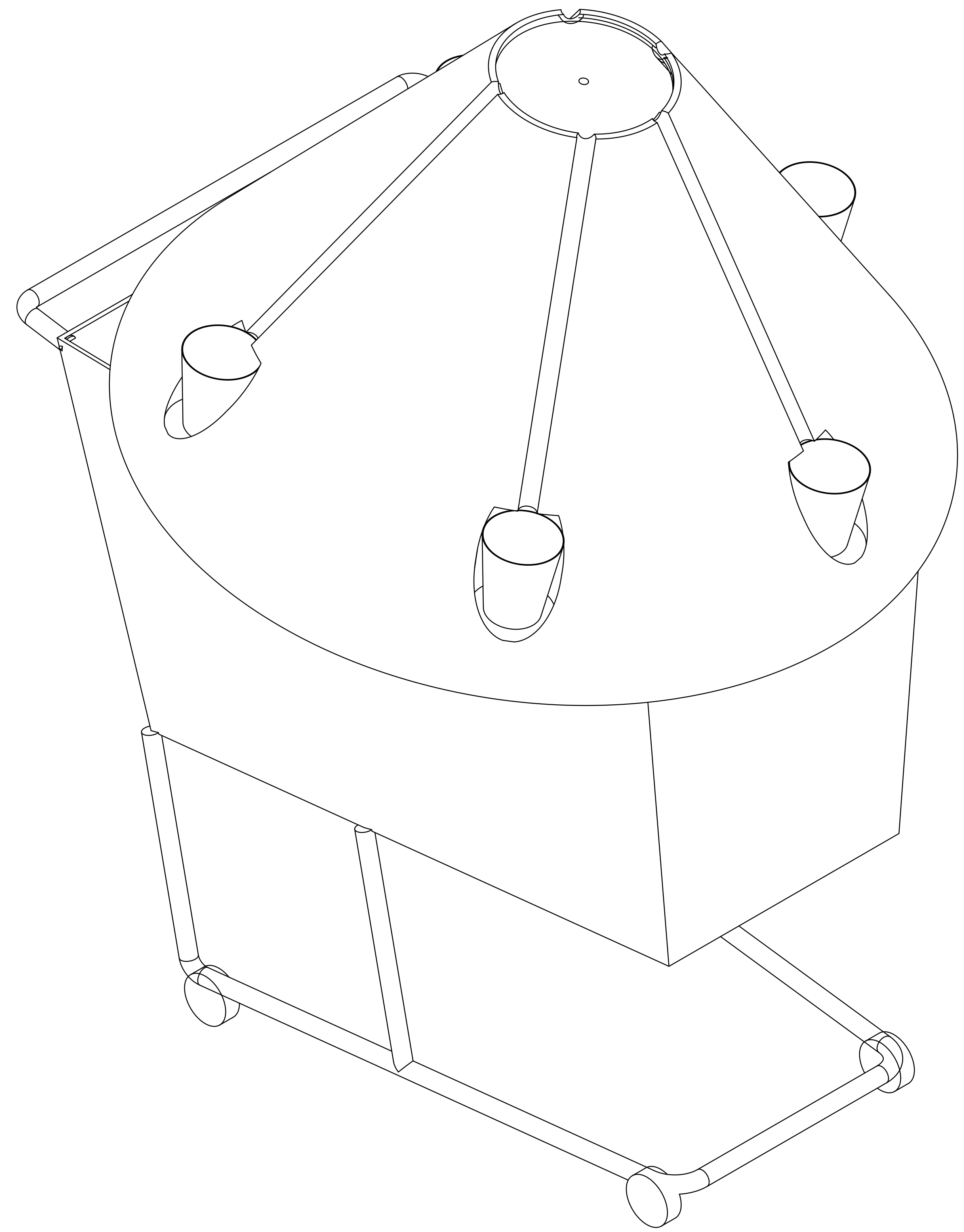
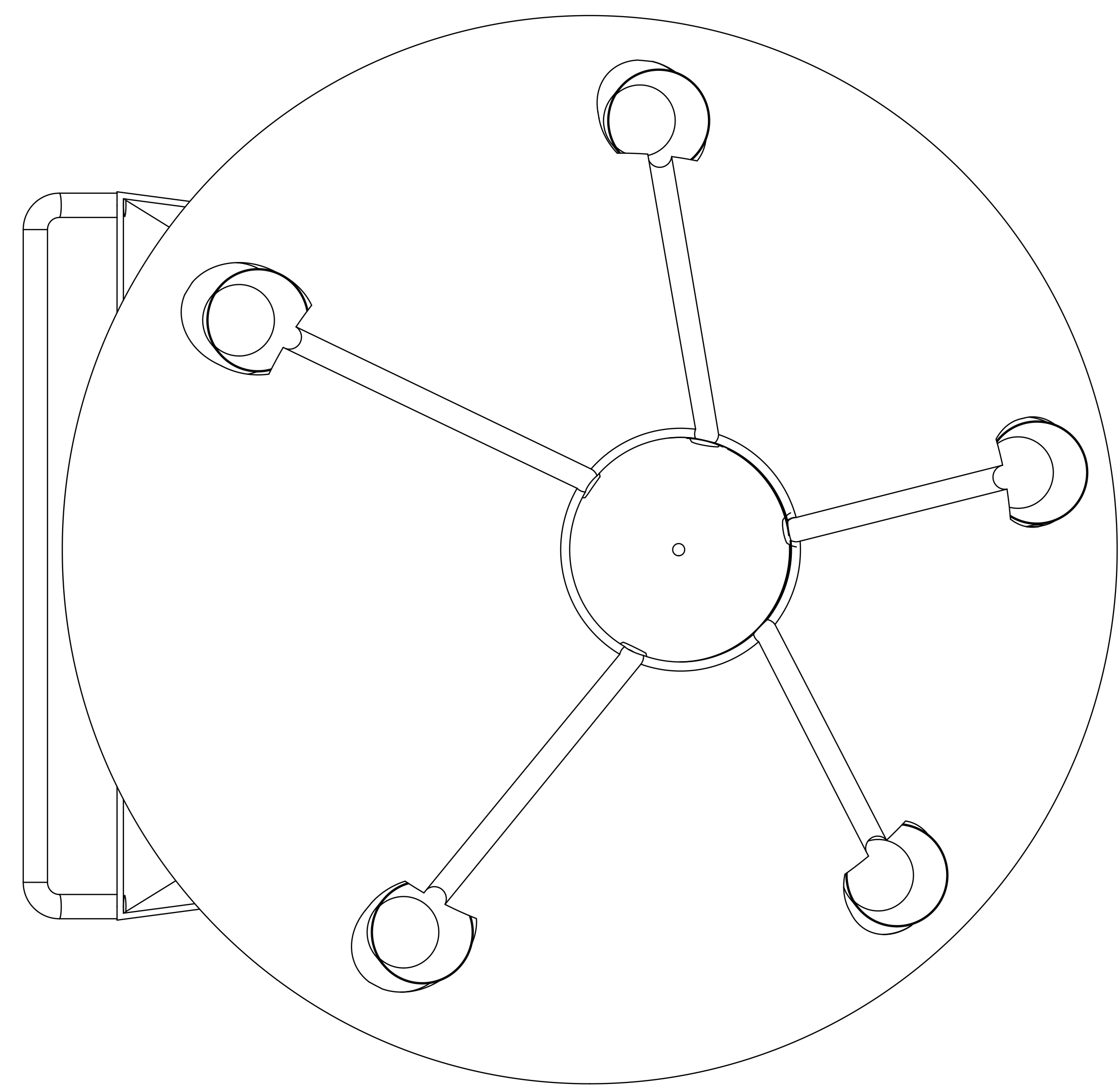


8 7 6 5 4 3 2 1

REVISIONS				
ZONE	REV	DESCRIPTION	DATE	APVD



NOTE: A HARD COPY OF THIS DOCUMENT MAY NOT BE THE DOCUMENT CURRENTLY IN EFFECT.

UNLESS OTHERWISE SPECIFIED DIMENSIONS ARE IN INCHES AND INCLUDE THICKNESS OF COATINGS- TOLERANCES ON: 2-PLACE DECIMALS+ .XX ALL 3-PLACE DECIMALS+ .XXX SURF ANGLES+ .X° XXX FRACTIONS+ DIMENSIONING AND TOLERANCING IN ACCORDANCE WITH ASME Y14.5M-1994 AND 2.3.5-12-DesEng-1.1-S	DATE	YYYY/MM/DD	Chopstork Volcano Cart Co. DIVISION OF VOLCANOES AND STUFF			
	DWN	X. XXXXXXXX	B2B VOLCANO			
	APVD	X. XXXXXXXX				
	APVD	X. XXXXXXXX	SIZE	CAGE CODE	DRAWING NO	REV
MATERIAL-	APVD	X. XXXXXXXX	E	XXXXXX	NUMBER	#
SCALE: X/X			SHEET 1 OF X			

8 7 6 5 4 3 2 1

XXXXXX
ON SHEET
XXXXXX
X OF X

8

7

6

5

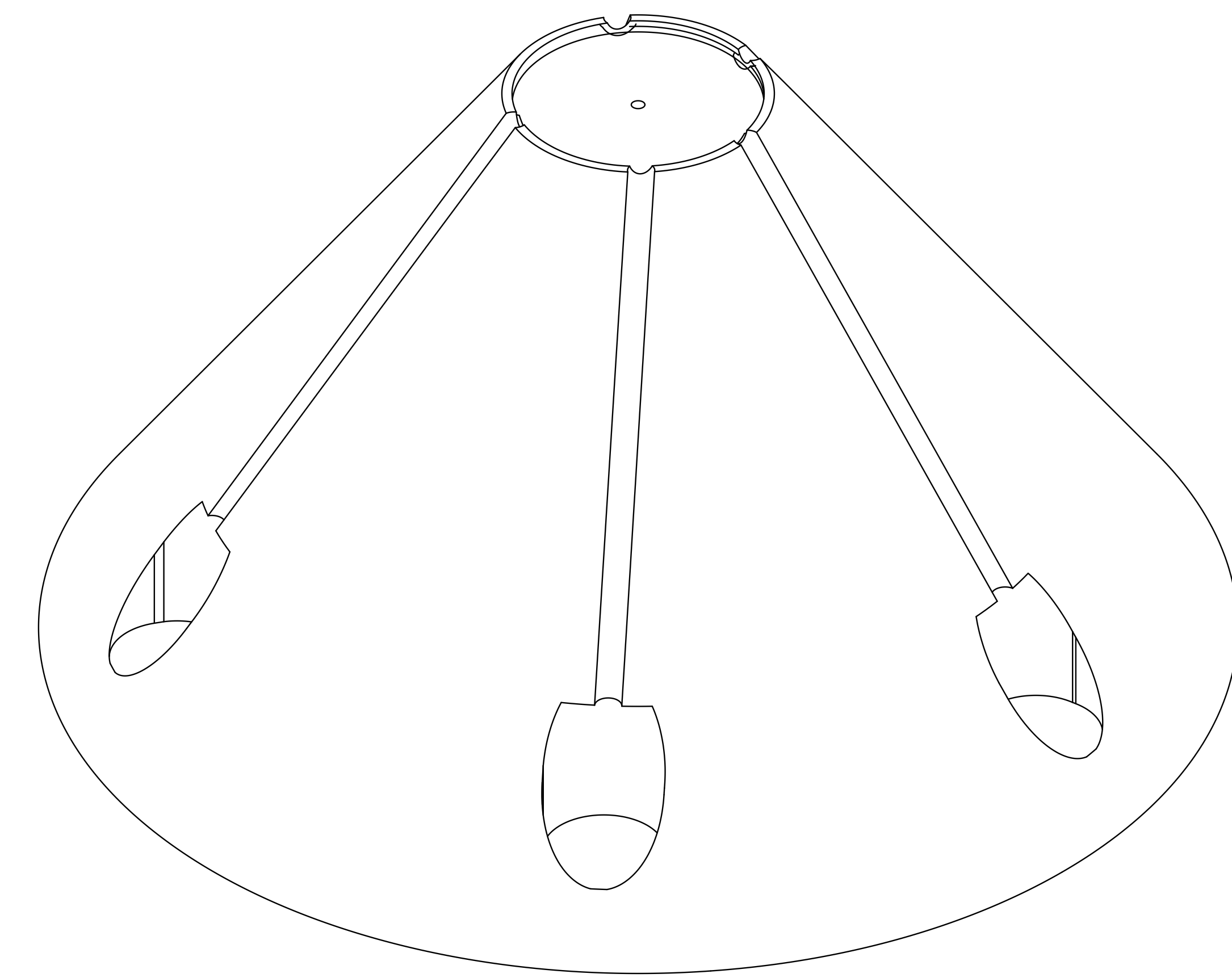
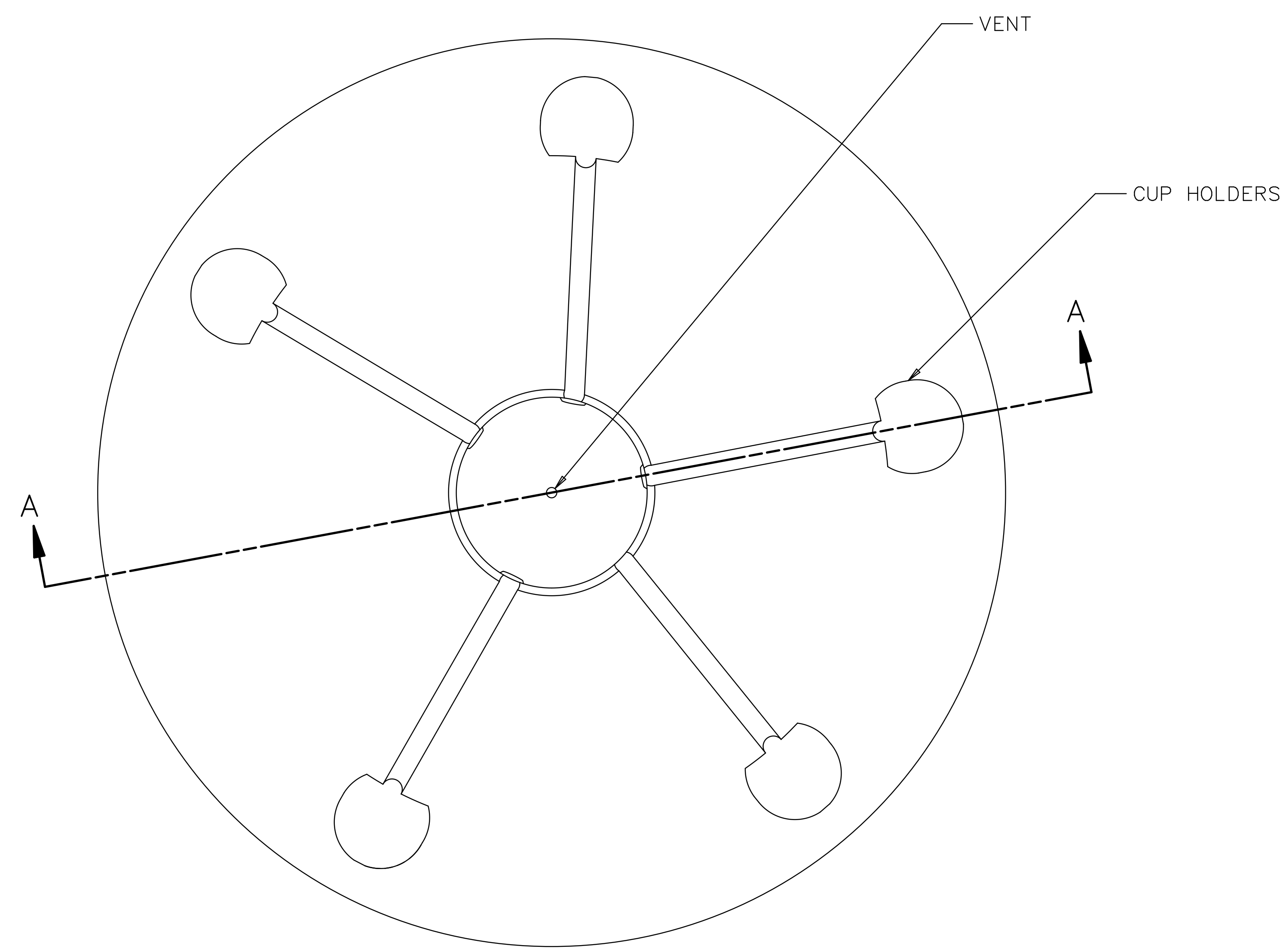
4

3

2

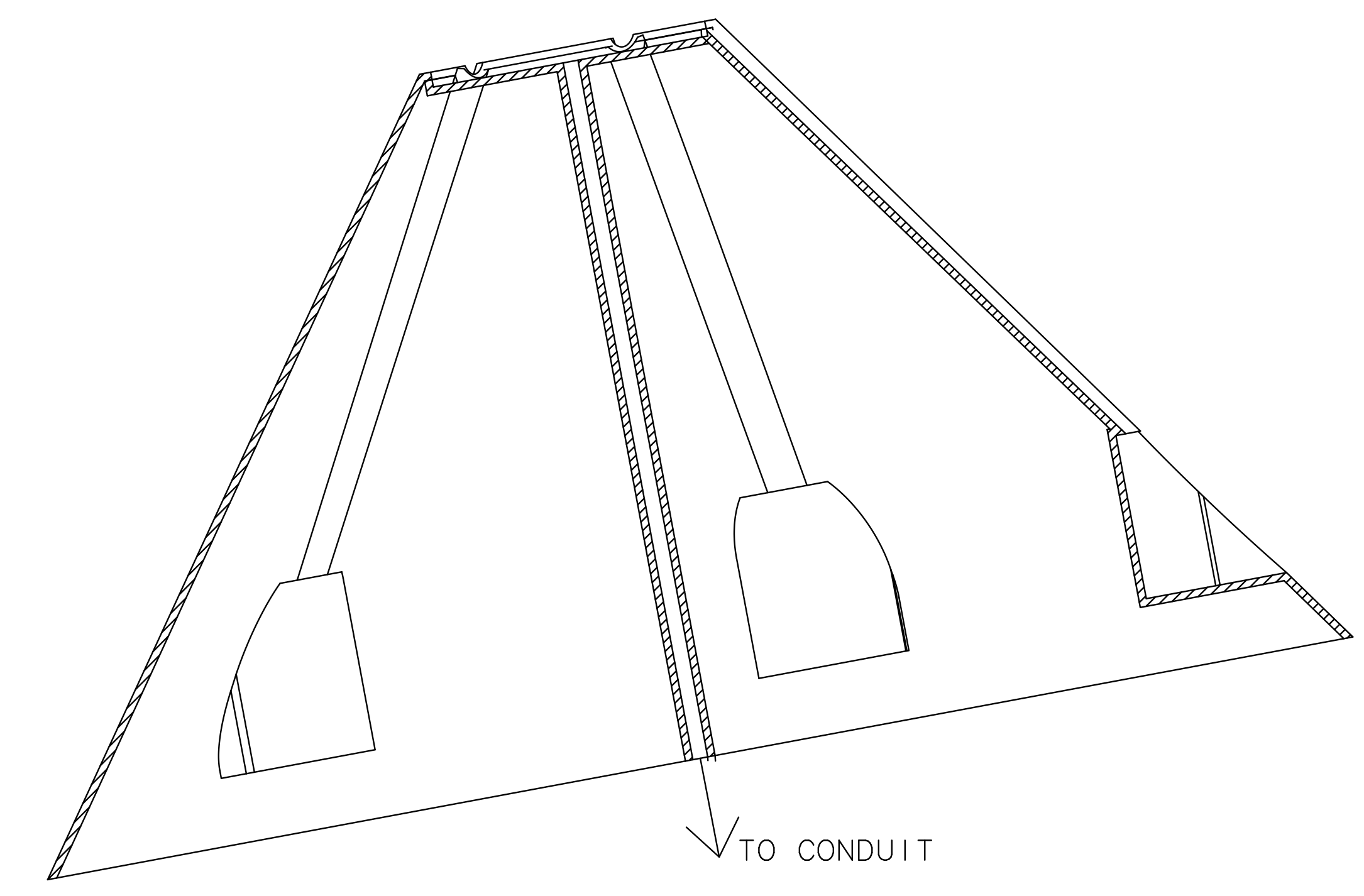
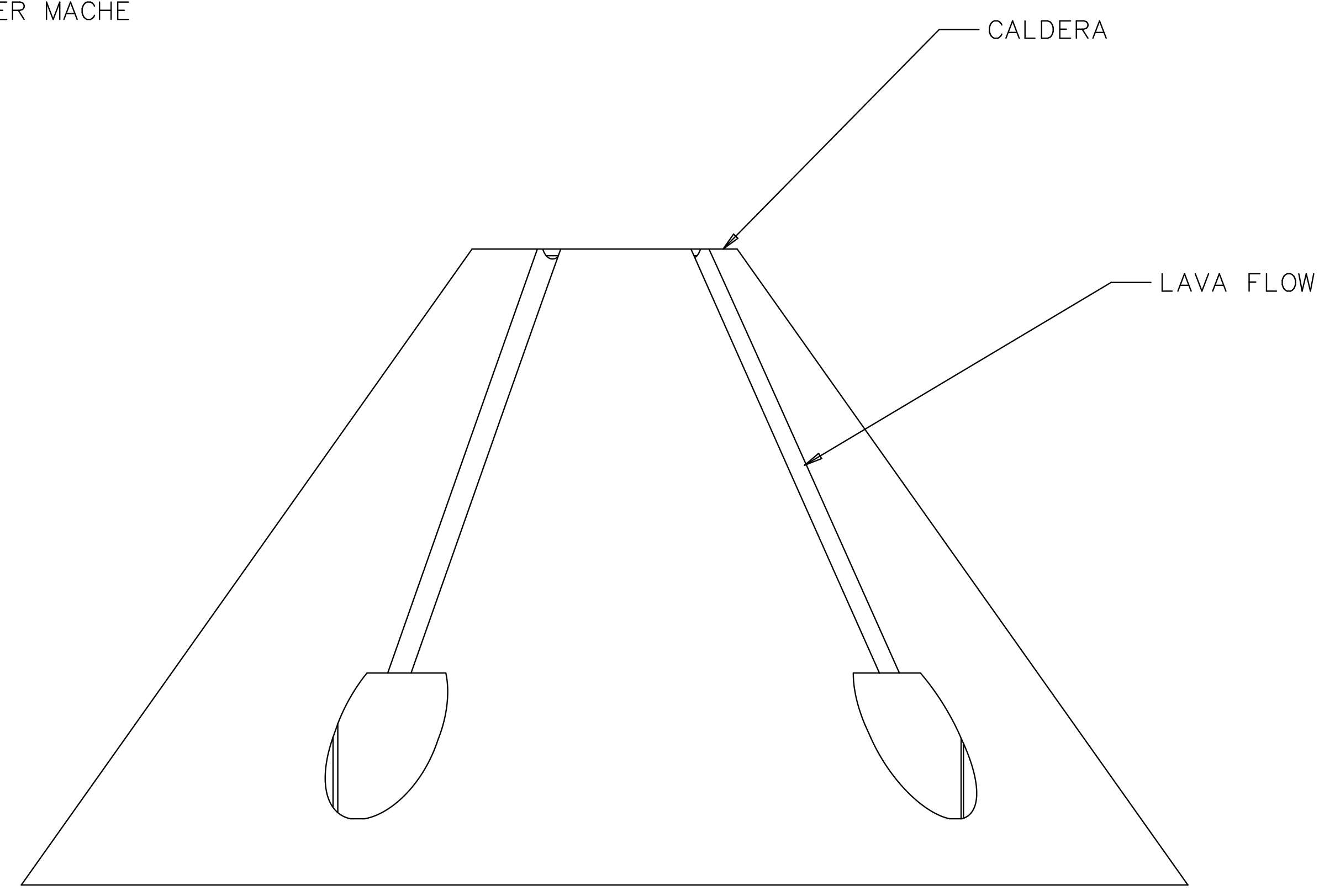
1

REVISIONS				
ZONE	REV	DESCRIPTION	DATE	APVD



KILAUEA

MATERIAL: PAPER MACHE



SECTION A-A

SIZE	CAGE CODE	DRAWING NO	REV
E	XXXXXX	XXXXXXXX	#
SCALE: X/X		SHEET 1 OF X	

8

7

6

5

4

3

2

1

H
G
F
E
D
C
B
A

H
G
F
E
D
C
B
A

XXXXX
DRAWING NO
XXXXX
REV
#